

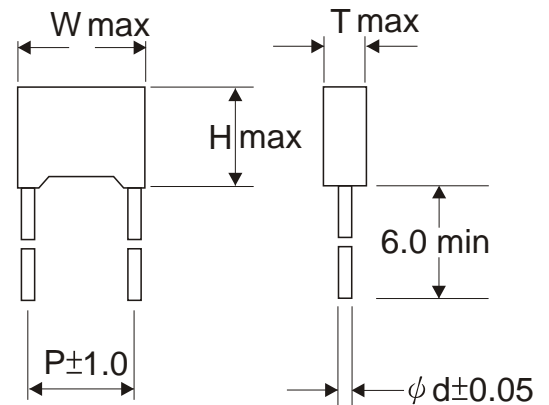
METALLIZED POLYPROPYLENE FILM CAPACITORS (X2)

金屬化聚丙烯薄膜電容器 (X2)

X2 Series

•FEATURE 特點

- (1) For using in radio interference suppression, across-the-line (spark killer circuit), line-by-pass, antenna coupling, FMI filter, & switching power supply application.
- (2) Flame-proof plastic case (compliance with UL94V-0)
- (3) High stability of capacitance & DF versus wide Temp. & Freq. range
- (1) 應用於射頻抑制, 跨線電花抑制, 線間旁路, 天線耦合, 調頻濾波和開關電源
- (2) 不燃性塑膠盒(符合UL94V-0)
- (3) 在寬溫度和頻率範圍內, 電容值和散逸因子具高穩定性



•SPECIFICATIONS 規格

| | |
|------------------------------------|--|
| Operating Temperature Range 操作溫度範圍 | -40°C ~ + 100°C |
| Rated Working Voltage 額定工作電壓 | 250/275 VAC |
| Rated Capacitance Range 電容值範圍 | 0.0047 μF ~ 1.0 μF |
| Capacitance Tolerance 電容誤差值 | J (± 5%), K (± 10%), M (± 20%) |
| Dielectric Strength 誘電強度 | Withstand 150% of rated working voltage for 1 minute at 25 degree C. |
| Dissipation Factor (D.F.) 散逸因子 | Less than 1.0% at 1KHz, 25°C |
| Insulation Resistance 絕緣電阻 | 15,000 MΩ min., for C ≤ 0.33 μF 5,000 MΩ X μF min., for C > 0.33 μF |

•DIMENSIONS 尺寸

(unit:mm)

| Cap. (μF) | Rated Volt. (VAC) | W | H | T | P | d φ |
|-----------|-------------------|-----------|-----------|-----------|-----------|---------|
| 0.0047 | 250/275 | 13.0 | 11.0 | 5.0 | 10.0 | 0.6 |
| 0.0056 | 250/275 | 13.0 | 11.0 | 5.0 | 10.0 | 0.6 |
| 0.0068 | 250/275 | 13.0 | 11.0 | 5.0 | 10.0 | 0.6 |
| 0.01 | 250/275 | 13.0/18.0 | 11.0 | 5.0 | 10.0/15.0 | 0.6/0.8 |
| 0.015 | 250/275 | 18.0 | 11.0 | 5.0 | 15.0 | 0.8 |
| 0.022 | 250/275 | 18.0 | 11.0 | 5.0 | 15.0 | 0.8 |
| 0.027 | 250/275 | 18.0 | 11.0 | 5.0 | 15.0 | 0.8 |
| 0.033 | 250/275 | 18.0 | 11.0 | 5.0 | 15.0 | 0.8 |
| 0.039 | 250/275 | 18.0 | 11.0 | 5.0 | 15.0 | 0.8 |
| 0.047 | 250/275 | 18.0 | 11.0 | 5.0 | 15.0 | 0.8 |
| 0.056 | 250/275 | 18.0 | 11.0 | 5.0 | 15.0 | 0.8 |
| 0.068 | 250/275 | 18.0 | 11.0 | 5.0 | 15.0 | 0.8 |
| 0.1 | 250/275 | 18.0 | 12.0 | 6.0 | 15.0 | 0.8 |
| 0.15 | 250/275 | 18.0 | 14.5 | 8.5 | 15.0 | 0.8 |
| 0.22 | 250/275 | 18.0/26.5 | 16.0/16.5 | 10.0/7.0 | 15.0/22.5 | 0.8 |
| 0.27 | 250/275 | 26.5 | 17.0 | 8.5 | 22.5 | 0.8 |
| 0.33 | 250/275 | 26.5 | 17.0 | 8.5 | 22.5 | 0.8 |
| 0.39 | 250/275 | 26.5 | 19.0 | 10.0 | 22.5 | 0.8 |
| 0.47 | 250/275 | 26.5/32.0 | 19.0/20.0 | 10.0/11.0 | 22.5/27.5 | 0.8 |
| 0.56 | 250/275 | 32.0 | 20.0 | 11.0 | 27.5 | 0.8 |
| 0.68 | 250/275 | 32.0 | 20.0 | 11.0 | 27.5 | 0.8 |
| 1.0 | 250/275 | 32.0 | 22.0 | 13.0 | 27.5 | 0.8 |

* Special Dimensions & Outlines are available. 可提供特殊尺寸和特殊外型之外盒